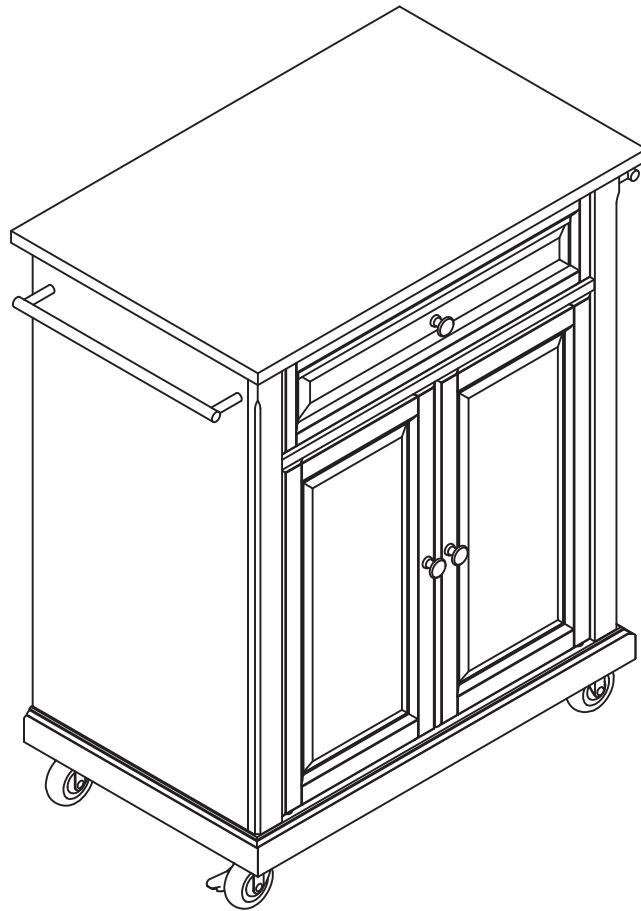


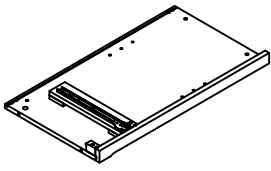
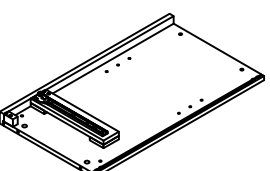
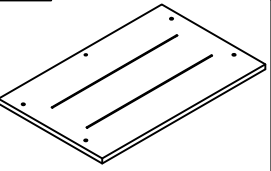
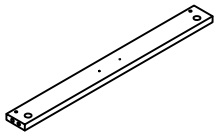
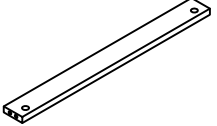
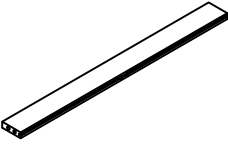


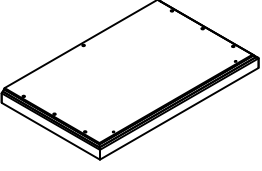
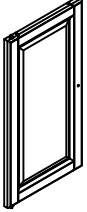
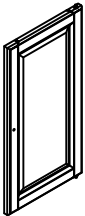
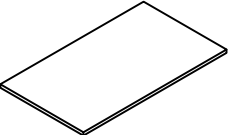
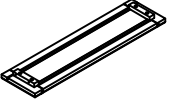
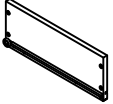
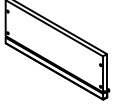
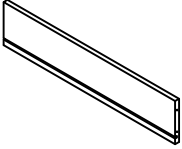
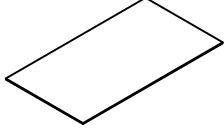


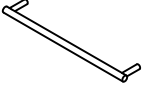


Kitchen Cart / Island Cabinet

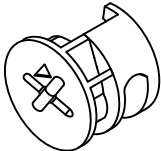
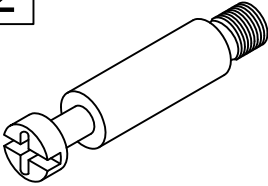
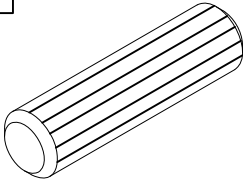
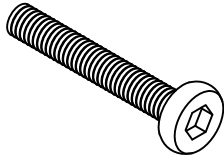
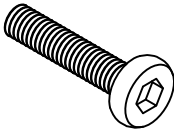
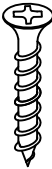
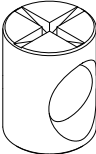
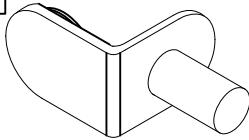
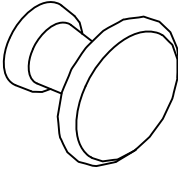
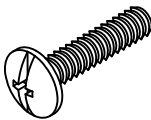
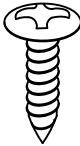
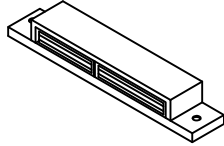
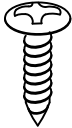
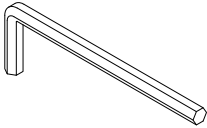
CF3002



PART LIST

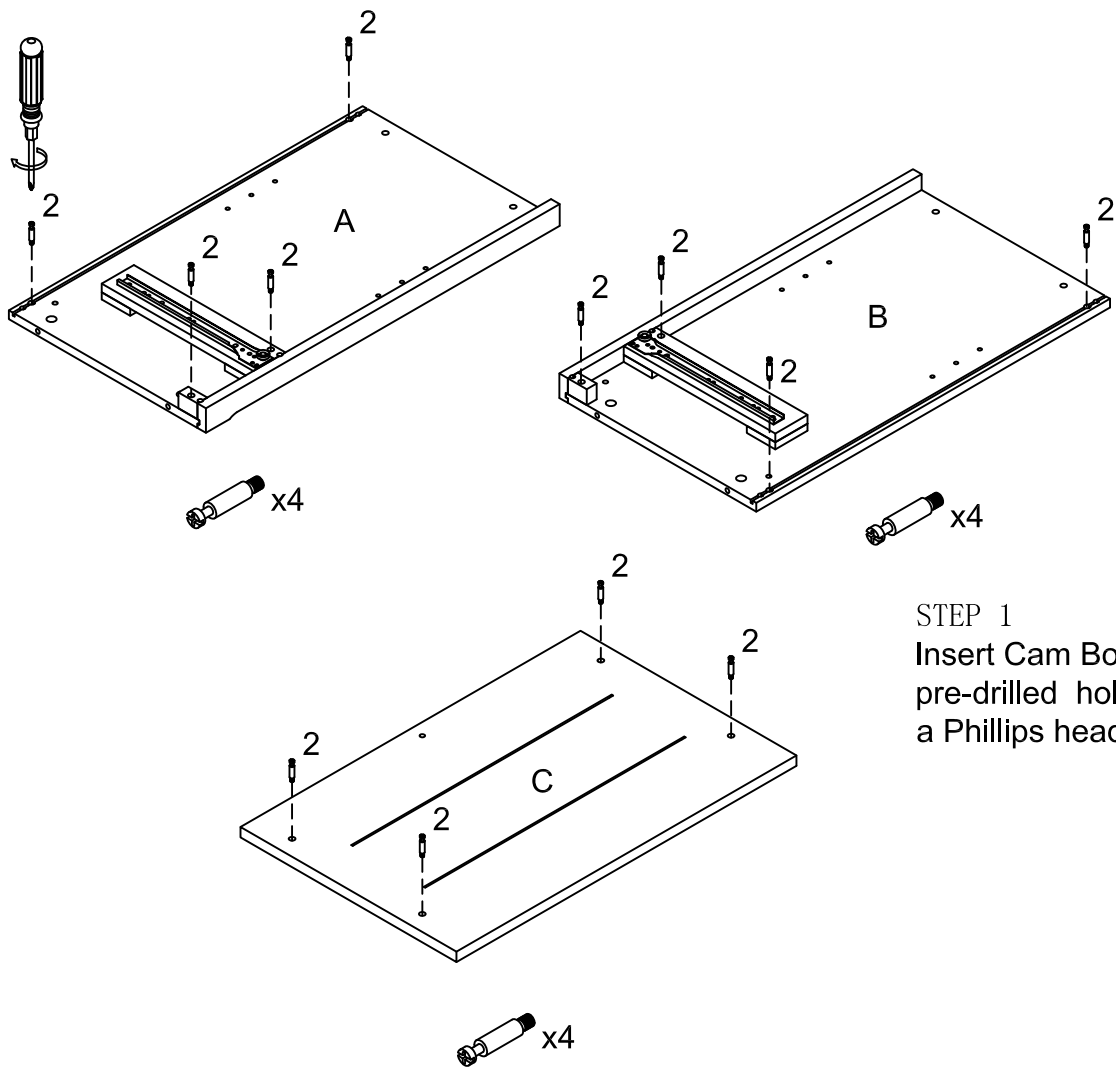
<p>A</p> 	<p>B</p> 	<p>C</p>  <p>Ships separately</p>	<p>D</p> 	<p>E</p> 
<p>1 PC</p>	<p>1 PC</p>	<p>1 PC</p>	<p>1 PC</p>	<p>1 PC</p>
<p>F</p> 	<p>G</p> 	<p>H</p> 	<p>I</p> 	<p>J</p> 
<p>2 PCS</p>	<p>2 PCS</p>	<p>1 PC</p>	<p>1 PC</p>	<p>1 PC</p>
<p>K</p> 	<p>L</p> 	<p>M</p> 	<p>N</p> 	<p>O</p> 
<p>1 PC</p>	<p>1 PC</p>	<p>1 PC</p>	<p>1 PC</p>	<p>1 PC</p>
<p>P</p> 	<p>Q</p> 	<p>R</p> 	<p>S</p> 	<p>T</p> 
<p>1 PC</p>	<p>1 PC</p>	<p>2 PCS</p>	<p>2 PCS</p>	<p>2 PCS</p>

HARDWARE LIST

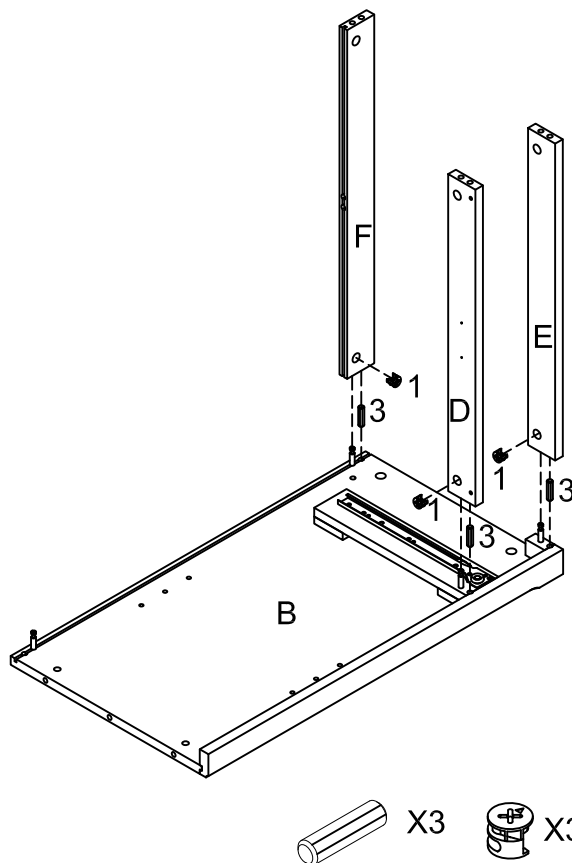
<p>1</p> 	<p>2</p> 	<p>3</p> 	<p>4</p> 
<p>CAM LOCK 12 PCS</p>	<p>CAM BOLT 12 PCS</p>	<p>WOOD DOWEL 16 PCS</p>	<p>Allen Bolt 4 PCS</p>
<p>5</p>  <p>1-1/4" *\varnothing1/4"*D11mm</p>	<p>6</p> 	<p>7</p> 	<p>8</p> 
<p>Short Allen Bolt 4 PCS</p>	<p>SCREW 8 PCS</p>	<p>BARREL NUT 4 PCS</p>	<p>SHELF HOLDER 4 PCS</p>
<p>9</p> 	<p>10</p> 	<p>11</p>  <p>12mm*\varnothing4*D9mm</p>	<p>12</p> 
<p>KNOB 3 PCS</p>	<p>ROUND HEAD BOLT 3 PCS</p>	<p>ROUND HEAD SCREW 16 PCS</p>	<p>DOUBLE MAGNET 1 PC</p>
<p>13</p> 	<p>14</p> 		
<p>ROUND HEAD SCREW 2 PCS</p>	<p>Allen Wrench 1 PC</p>		

Tools needed: Allen Wrench (Part #14) Included
Phillips Head Screwdriver (Not included)

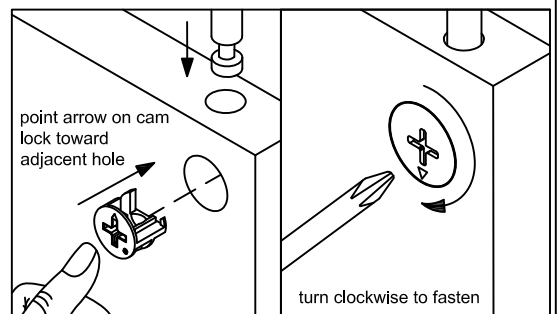
Note: Wood dowels (Part #3) are for alignment only when assembling your furniture. Additional clearance between the wood dowels and pre-drilled holes is intended for ease of assembly.

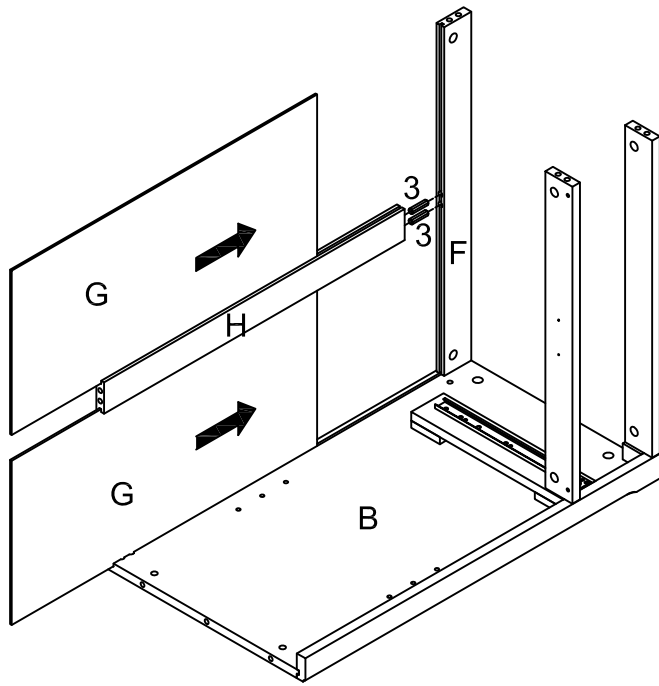


STEP 1
 Insert Cam Bolts (part # 2) into pre-drilled holes of parts A,B,C using a Phillips head screw driver as shown.



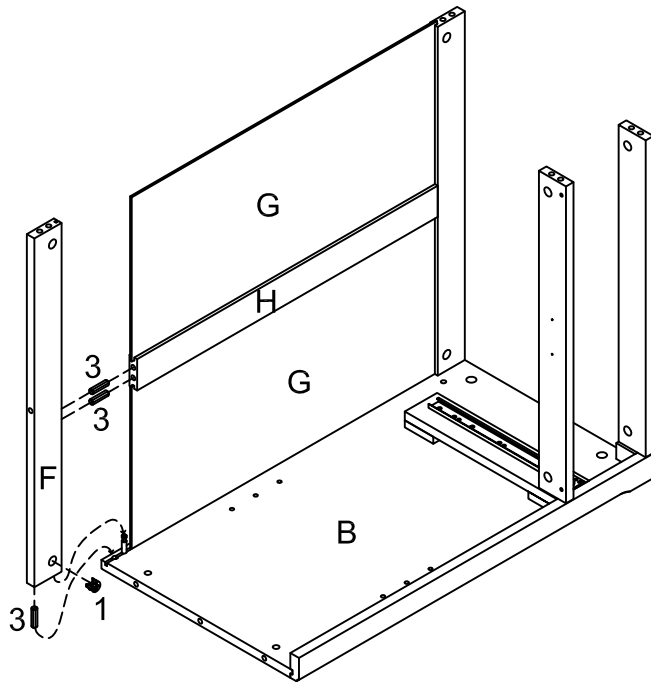
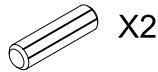
STEP 2
 Attach rails D, E, & F to Part B with wood dowels & Cam locks as shown.





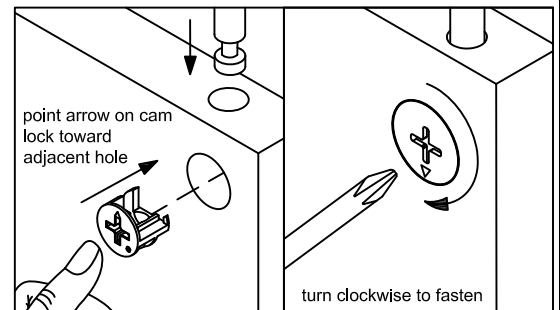
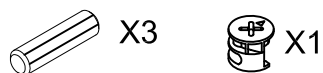
STEP 3

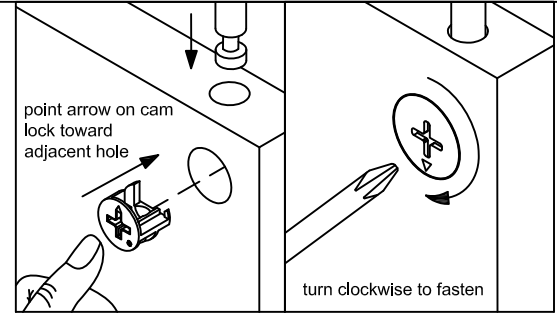
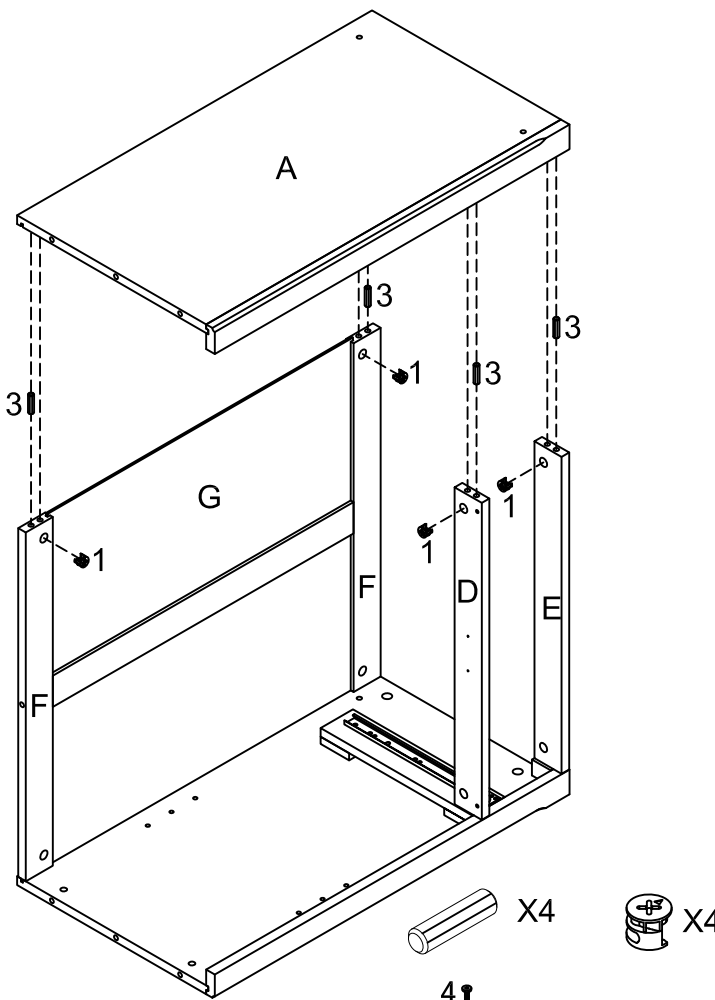
Slide back panel G into grooves of Part B & Rail F as shown. Set Rail H into place on back panel G and into rail F using wood dowels as shown. Slide back panel G into grooves of rails H & F.



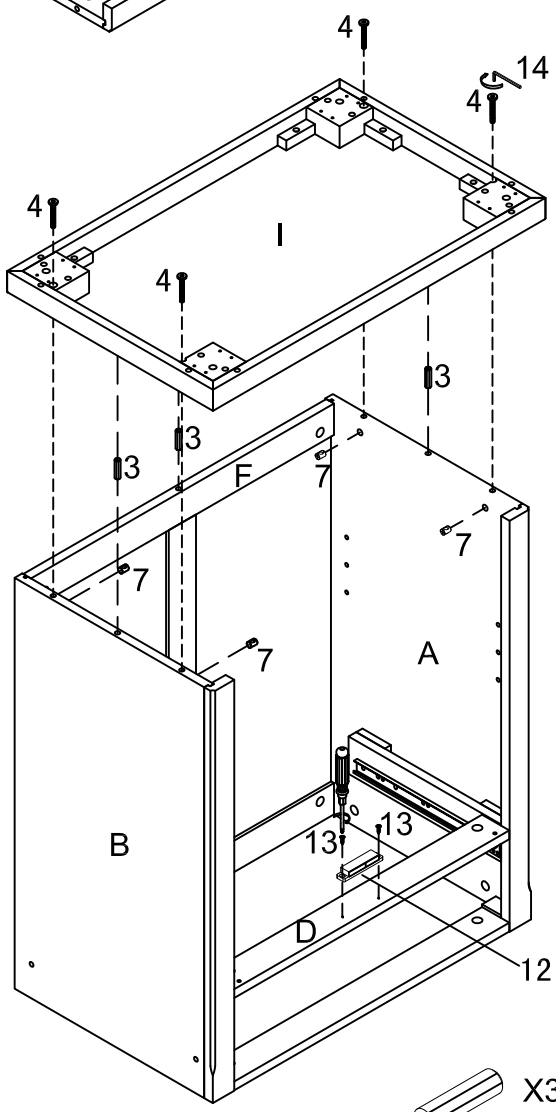
STEP 4

Attach Rail F to Rail H using wood dowels (Part #3) & Cam Locks (Part #1) as shown.

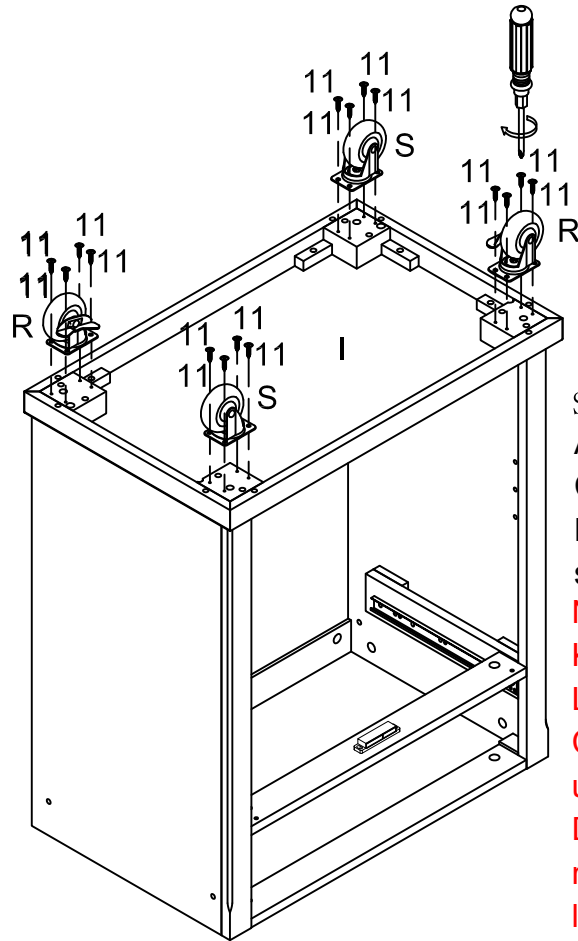




STEP 5
 Attach Part A to Parts D, E, & F using wood dowels & Cam locks as shown. Carefully turn cabinet over so that rails E & F are flat on the floor.



STEP 6
 Attach Base I to cabinet using Wood Dowels (Part #3), Allen Bolts (Part #4) & Barrel Nuts (Part #7) as shown. Attach Double Magnet (Part #12) to Rail D using Round Head Screws (Part #13) as shown.

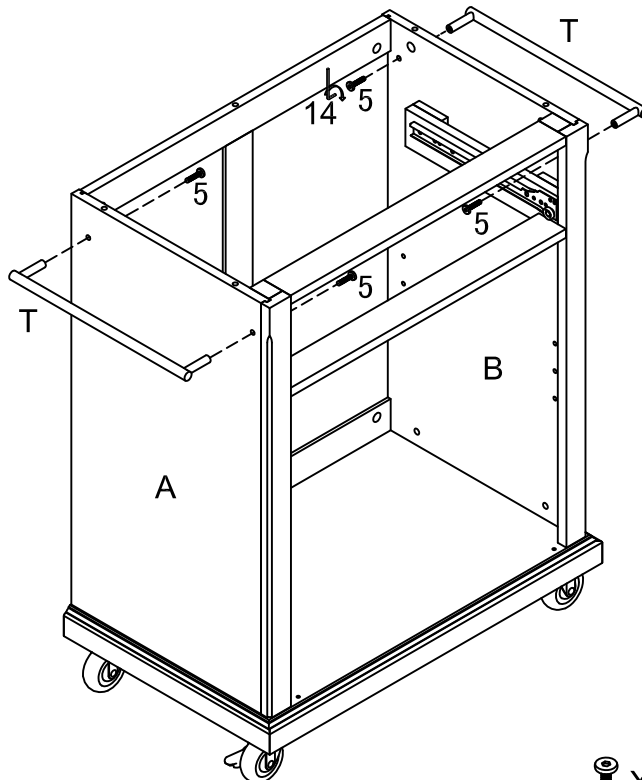


STEP 7

Attach Locking Casters (Part S) & Casters (Part R) to Base I using Round Head Screws (Part #11) as shown.

Note: IF YOU PURCHASED A KITCHEN ISLAND WITH WOOD LEGS, DO NOT ATTACH THE CASTERS. Attach the wood legs using Hex Socket Head Bolts & Wood Dowels (as shown in instruction manual included in carton with the legs).

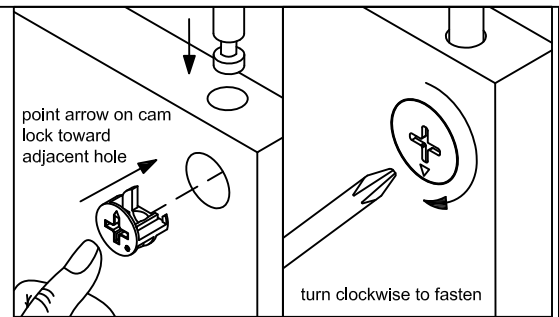
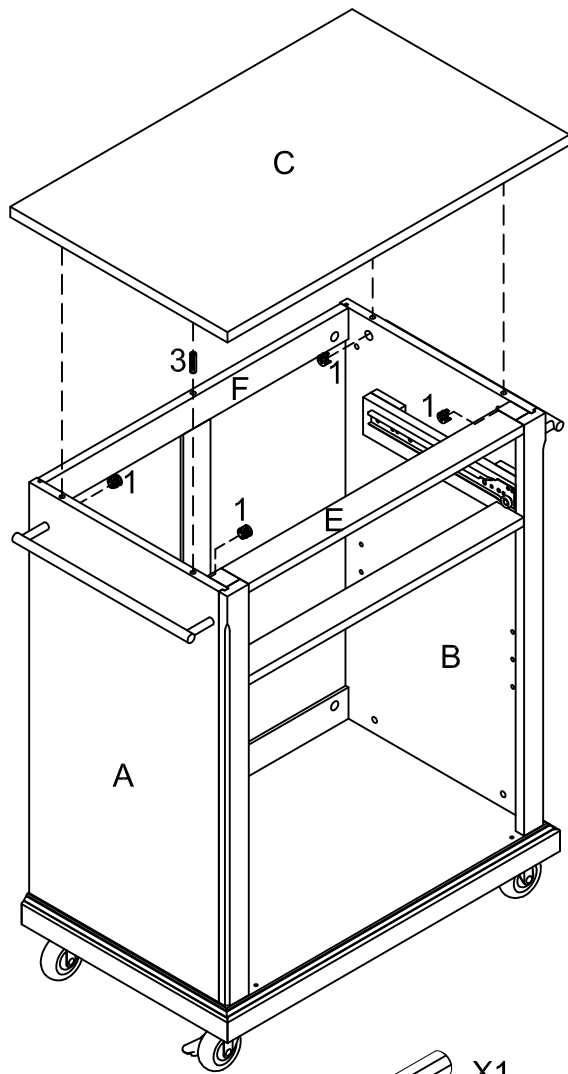
Carefully turn cabinet over with legs or casters on the floor.



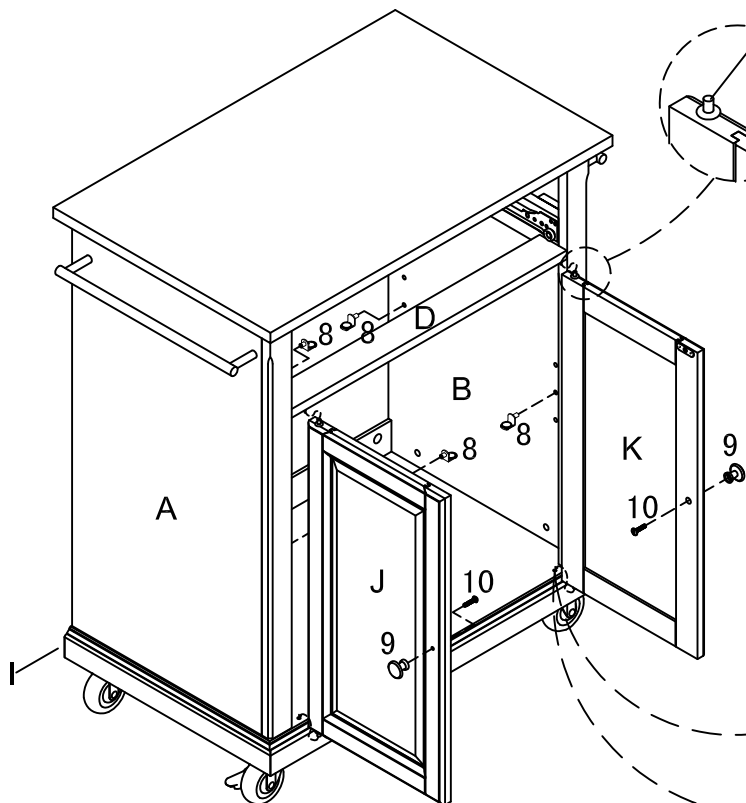
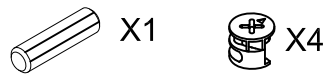
STEP 8

Attach towel bars T to Side Panels A & B using Short Allen Bolts (Part #5) as shown.



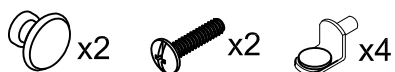


STEP 9
 Attach Top C to cabinet using Wood Dowel (Part # 3) & Cam Locks (Part # 1) as shown.

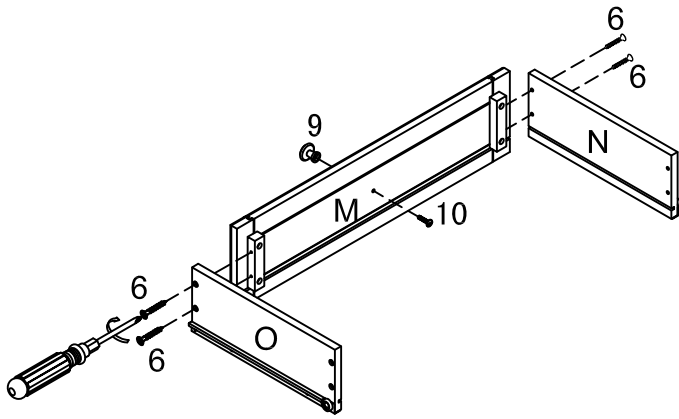





Pin Hinge

STEP 10
 Attach Knobs (Part #9) to doors J & K using Round Head Bolts (Part #10) as shown. Attach doors to cabinet by placing bottom Pin Hinge into pre-drilled holes in cabinet base & depressing top spring loaded Pin hinge to fit door into place in Rail D. Insert Shelf Holders (Part #8) into desired position.



NOTE: Be sure Pin Hinges have extended fully into pre-drilled holes to secure doors into place.

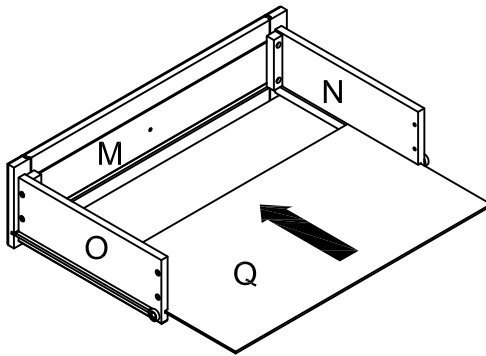


 x4
  x1
  x1

STEP 11

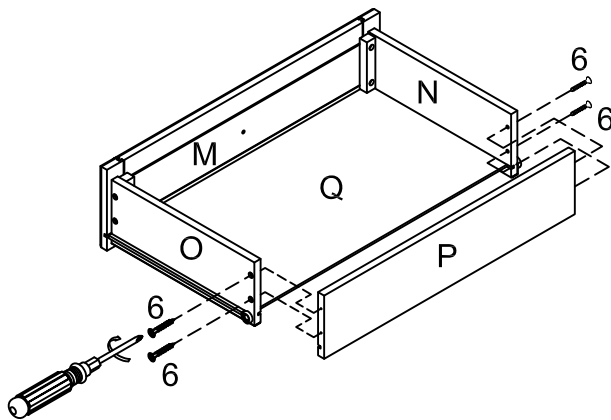
Assemble drawers by Attaching Drawer Front M to Drawer Sides O & N using Screws (Part # 6) & Phillips Head screw driver as shown. Attach Knob (Part # 9) to Part M with Round Head Bolt (Part # 10) as shown.

NOTE: Be sure that wheels on drawer glides are at the opposite side of the drawer front.



STEP 12

Insert Bottom Panel Q into the grooves of Parts O, M & N as shown.



 x4

STEP 13

Attach Back Panel P to Parts O & N using Screws (Part # 6) & Phillips Head screw driver as shown.

STEP 14

Insert Shelf L & drawer in to cabinet as shown.

